



ELECTRICAL COMPONENTS SDN BHD

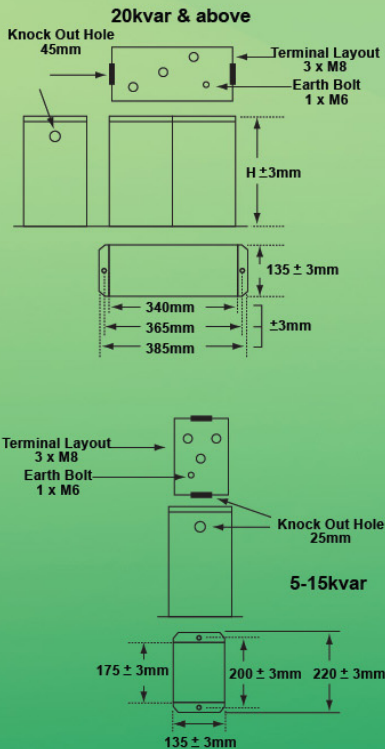
THE FIRST CHOICE IN ENERGY EFFICIENCY



ELCO Prismatic-Type Power Capacitors 134/135 Series

Three-phased Prismatic-Type Power Capacitor is used to correct Power Factor for Motors, Low Voltage Transformers and inside Industrial Switchboard. It is sometimes used with blocking reactors with harmonics presence.

Product Dimension



PRODUCT SPECIFICATION

No.	Specifications	Data	
		134 Series	135 Series
1	Construction	Metal Box	
2	External Terminal Box & Casing Finishing	Yes & Epoxy Powder coated Sheet Steel	
3	Type	Dry, Self-Healing	
4	Dielectric	Bi-Axially Oriented Polypropylene	
5	Plate	Zinc-Aluminium Alloy	
6	Rated Voltage (UN)	440V	525V
7	Frequency (fN)	50 / 60 Hz	
8	Connection	Internal Delta	
9	Temperature Category	D / -40°C to +55°C	
10	Capacitance Tolerance	-5% / 10%	
11	Dielectric Loss	≤ 0.5W / KVAR	
12	Encapsulation/Impregnation	Cells-Polyurethane Resin Oven Cured Flame Retardant	
13	Testing Voltage Between Terminals / time	2.15 UN / 2s	
14	Testing Voltage Between Terminals and Container / time	3000 V / 10s	
15	Maximum Permissible Voltage For 8 hrs in every 24 hrs	1.1 UN	
16	Maximum Permissible Continuous Current	1.3 IN	
17	Maximum Permissible Overload Current	1.5 IN	
18	Discharge Resistor	External	
19	Terminals / Screw Torque	3 x M8 Treaded Cu Stud / < 4Nm	
20	Minimum Installation Clearance	50mm between units	
21	Statistical Life Expectancy	> 200,000 Operating Hours	
22	Standards	IEC 60831-1/2 ed 2.1:2002-11	
23	IP Rating	IP40(With Cable Gland)	
24	Safety Device	Segmented Cell Foils	

EXCELLENCE THROUGH CONTINUOUS IMPROVEMENTS

